



BCM5821 SUPER E-COMMERCE PROCESSOR

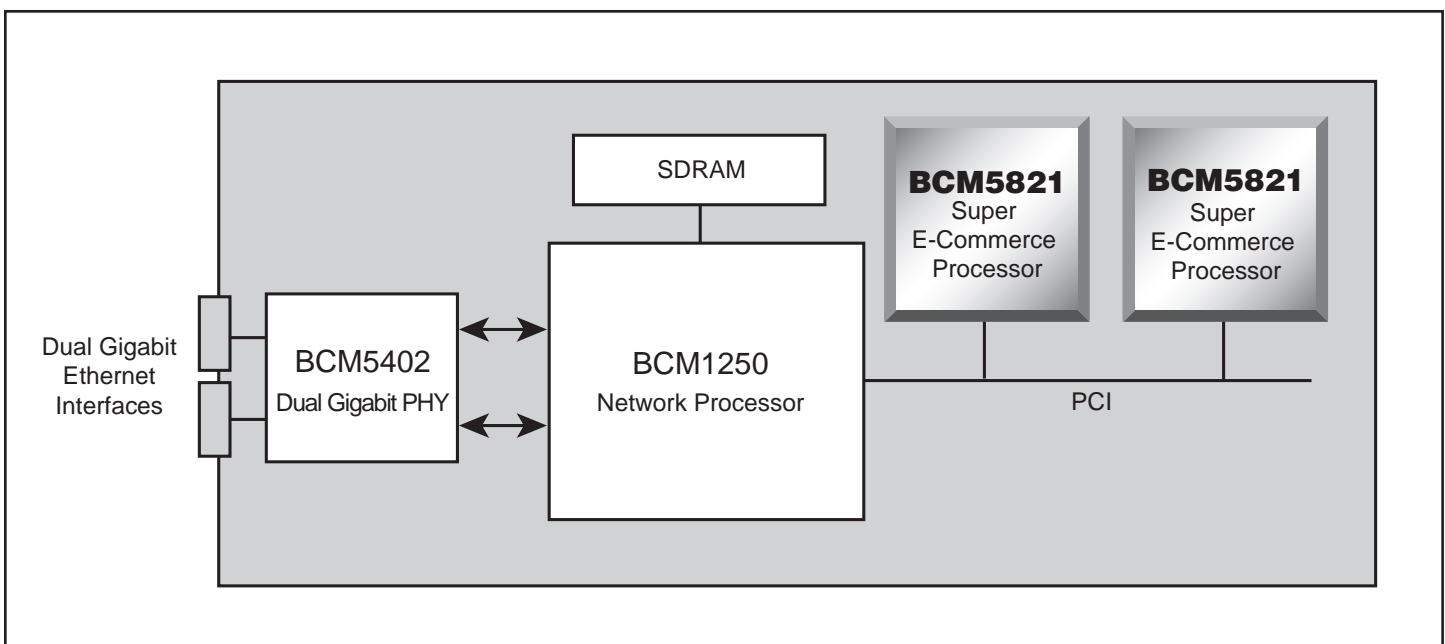
BCM5821 FEATURES

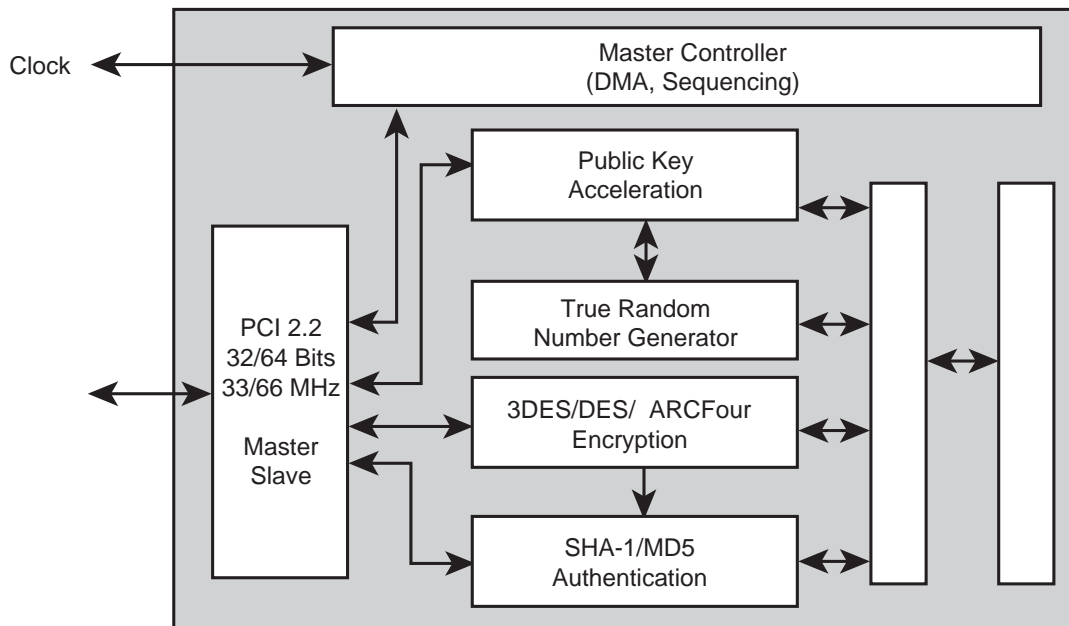
- **High-performance public key processor**
 - 4000 1024-bit RSA transactions per second
 - 3000 Diffie-Hellman transactions per second
 - HW supports 1024 and 2048 bit RSA keys
 - Support for SSL/TLS and IKE modes
- **Integrated symmetric key processor**
 - DES, 3DES, ARC4, HMAC-SHA-1, HMAC-MD5
 - 470-Mbps IPsec (3DES, HMAC-SHA-1)
 - 600-Mbps ARC4
 - Supports unlimited number of simultaneous sessions
 - Full performance with different session for each packet
- **Concurrent public key and symmetric key processing**
- **Software and package compatible with BCM5820**
- **True hardware random number generator**
- **Optimized PCI interface**
 - PCI 2.2 interface, 32/64-bit, 33-66 MHz
 - Increased DMA block transfers
 - Optional EEPROM interface to configure PCI registers
- **125-MHz operating frequency**
- **0.18m CMOS technology, 1.8V core, 3.3V I/O**
- **Low power consumption: 2.8W**
- **256-TBGA package**

SUMMARY OF BENEFITS

- **Highest performance public key processor enables secure web transactions in embedded applications**
 - SSL appliances
 - Web/content switches
 - Load balancers
 - Web servers
- **Enable fast IKE negotiations for VPN applications**
 - VPN appliances
 - Access devices
 - Edge routers
 - Firewalls
- **High-performance SSL accelerator dramatically improves cost of SSL transactions per second**
- **Improves SSL performance and reduces delays associated with secure Internet transactions**
 - Increases SSL termination capacity
 - 4000 SSL handshakes per second
 - 20x the SSL performance over software solutions
- **Extensive embedded software development kit (SDK)**
 - VxWorks®, Linux®, BSD® support
 - Software reference library
 - Complete reference design
- **Concurrent processing minimizes latency on public-key and symmetric key operations**
- **Integration reduces footprint and power consumption for embedded applications**
 - Over 1400 SSL sessions per watt

SSL Appliance Architecture





The **BCM5821** Super E-commerce Processor is a high-performance public-key processor, able to perform over 4000 SSL/TLS sessions per second and 3000 IKE negotiations per second. The high level of performance and integration in the **BCM5821** makes it ideal for high-performance embedded applications with footprint and power limitations.

In addition to its high-performance public-key engines, the **BCM5821** offers acceleration for symmetric key functions at increased performance rates. The **BCM5821** supports Bulk SSL encryption and authentication (ARC4, SSL-MAC-MD5/SHA-1) in-system performance at 300 Mbps and IPsec (3DES, HMAC-SHA-1) in-system performance is 470 Mbps.

A true hardware random number generator on the **BCM5821** is well suited for IV seeding and secret key generation.

For SSL applications, a single **BCM5821** can support 4000 SSL sessions per second, thus dramatically improving the response time of load balancers, web switches, servers and SSL appliances. For IKE applications, the **BCM5821** can initiate 3000 VPN tunnels per second.

The **BCM5821** device's PCI interface makes it a perfect solution for all cost-sensitive security applications. Requiring no external components, the **BCM5821** is ideal for embedded applications with strict board space and power requirements. Furthermore, performance of the **BCM5821** can easily be scaled to increase both public-key and bulk payload processing performance.

Unlimited security association (SA) support via system memory and a multi-threaded DMA engine utilizes system memory to maximize throughput in real-world applications. Able to pre-fetch packet contexts, minimizes the performance degradation when processing small packets. Concurrent public-key and bulk payload processing minimizes latency and improves system performance dramatically.

Application program interface (API) support through Broadcom's Software Reference Library (SRL) for IPsec and SSL application software offers **BCM5821** users a complete system solution. The **BCM5821** SDK includes support for VxWorks, Linux and BSD.

Broadcom®, the pulse logo, and **Connecting everything**® are trademarks of Broadcom Corporation and/or its subsidiaries in the United States and certain other countries. All other trademarks are the property of their respective owners.

Connecting
everything®



BROADCOM CORPORATION
16215 Alton Parkway, P.O. Box 57013
Irvine, California 92619-7013

© 2003 by BROADCOM CORPORATION. All rights reserved.
5821-PB02-R 03.25.03

Phone: 949-450-8700
FAX: 949-450-8710
Email: info@broadcom.com
Web: www.broadcom.com